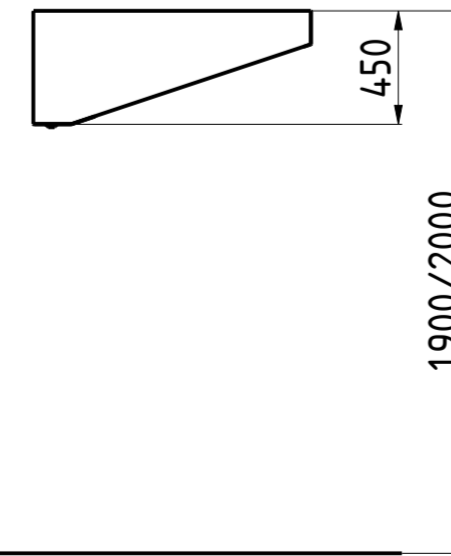
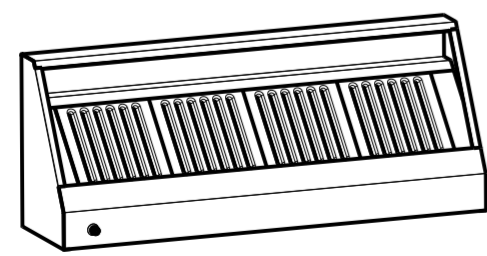
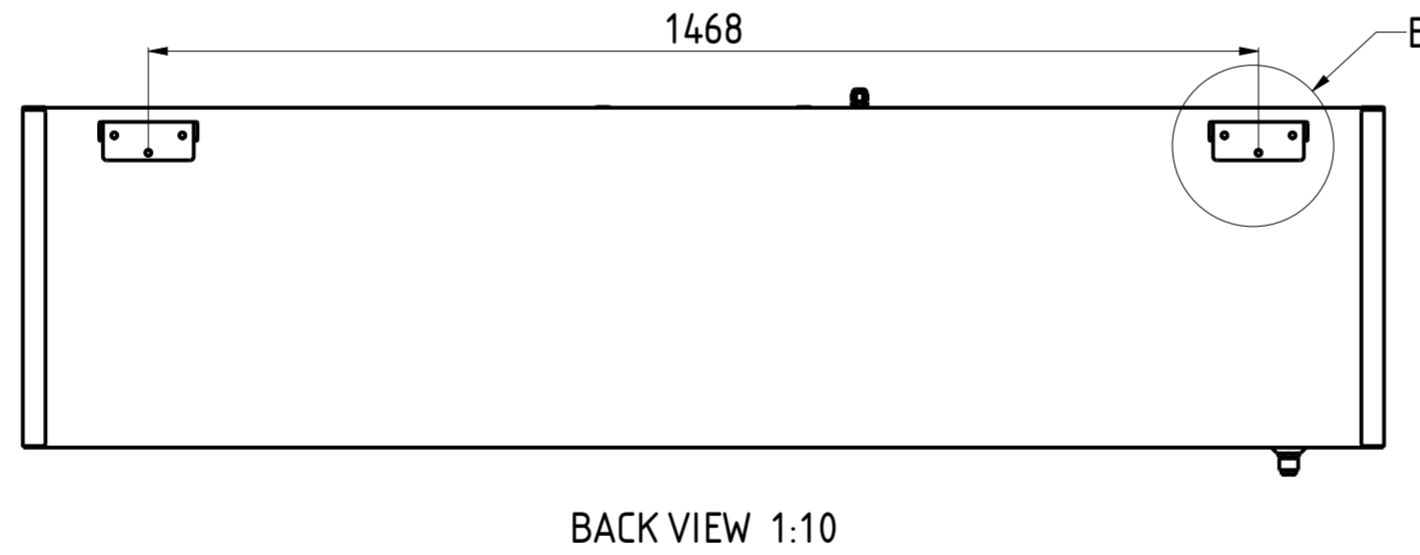
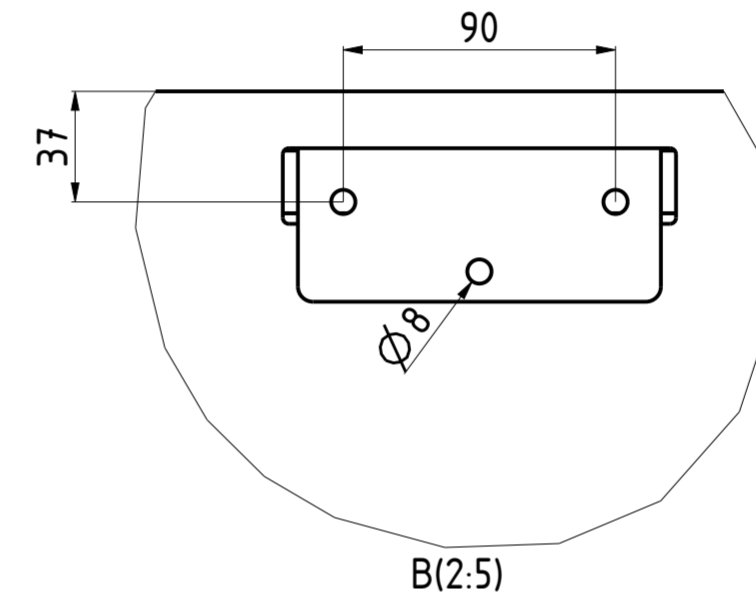
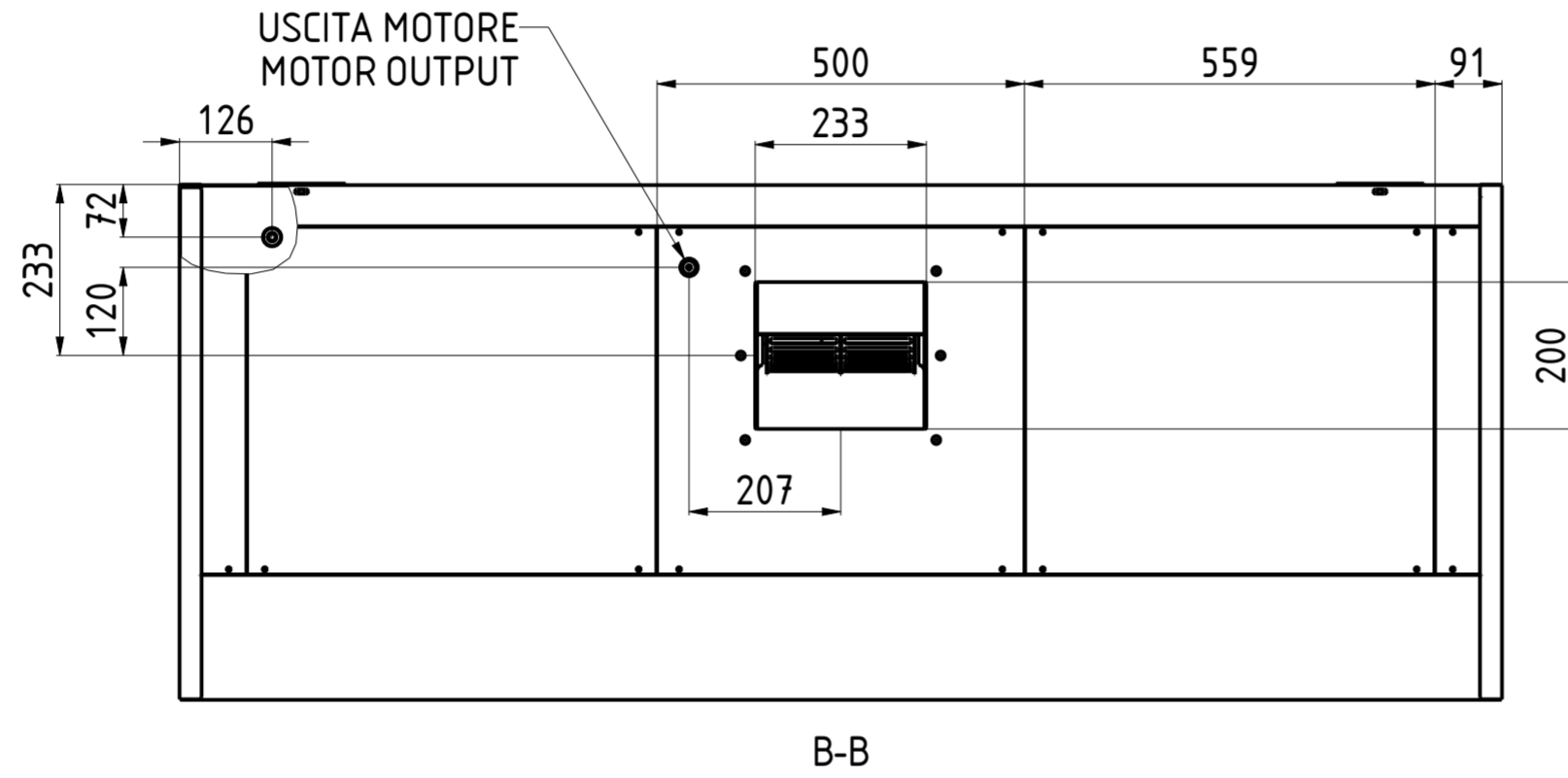
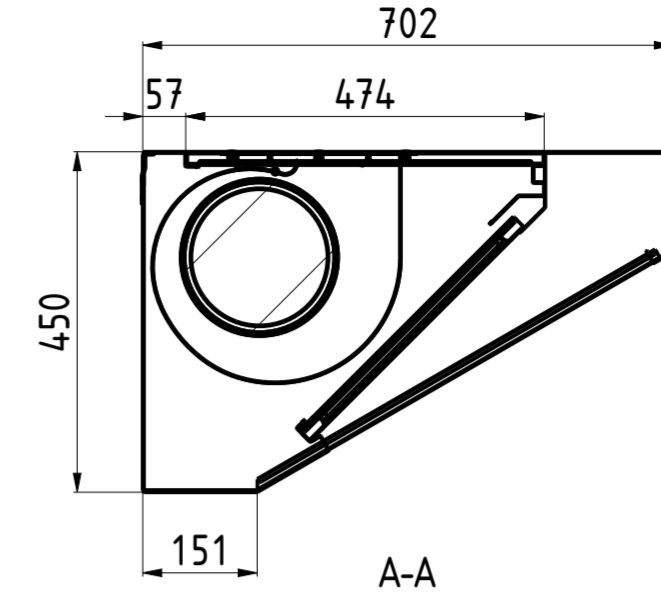
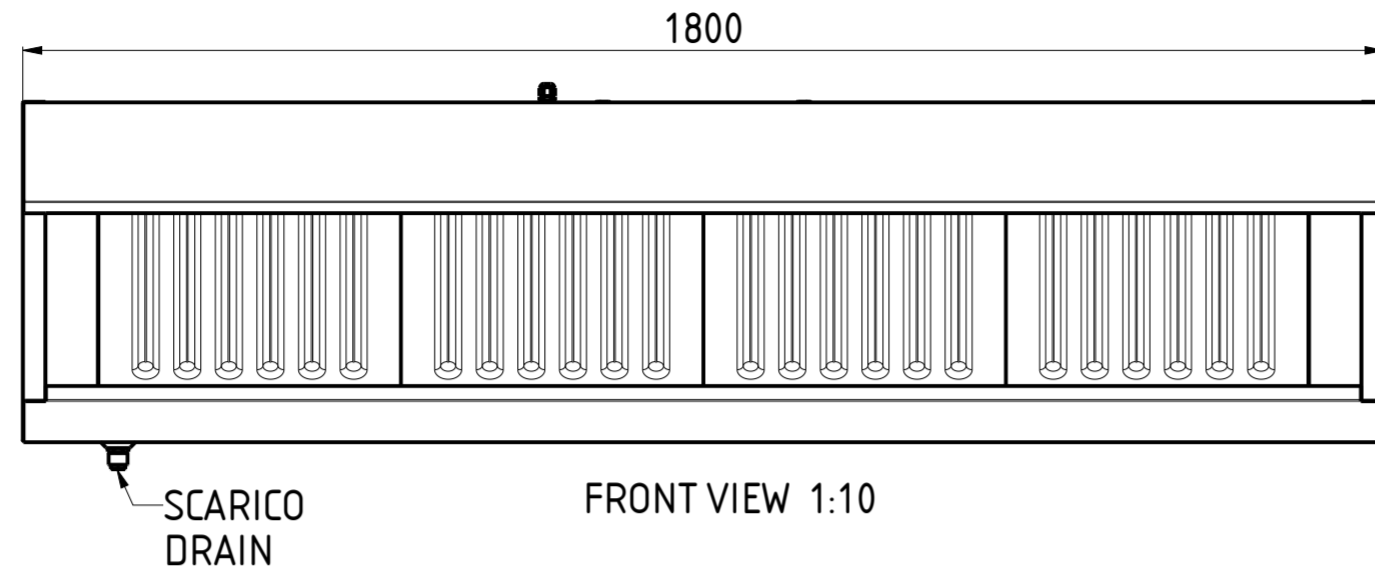


CHSN07L180M



NR. LUCI NR. LIGHTS	PORTATA FLOW RATE	HST mmH ₂ O	WATT	SDR	PESO (Kg) WEIGHT (Kg)
—	1600	15	147	7/7	74

DATA DATE	MODIF. N. MODIF. NO.	DESCRIZIONE MODIFICHE MODIFICATION DESCRIPTION	DISEGNATO DRAWN BY	APPROVATO APPROVED
MODELLO CAPPINA SNACK CON MOTORE 7/18 MODEL SNACK HOOD WITH MOTOR 7/18				SCALA SCALE -
PARTICOLARE SCHEDA TECNICA DETAIL DATA SHEET				DATA DATE -
MATERIALE MATERIAL AISI 304 - AISI 430	SPES. THICK. -			SHEET 2 OF 5
FINITURA FINISH	PEZZI N. PIECES NO.			ULTIMA EMISS. LAST EDITION
TRATTAMENTO TREATMENT	COLORE COLOUR			

CHEF
Line

mm

FORM.A-2

ELABORATO CON SISTEMA CAD
DESIGNED BY CAD/STEM
 QUOTA PRIMARIA
PRIMARY DIMENSION
 XX
 ANGOLI
Angles
 >30°
 >500
 ±0.75
 400-500
 ±0.65
 315-400
 ±0.60
 250-315
 ±0.55
 180-250
 ±0.50
 120-180
 ±0.45
 80-120
 ±0.40
 50-80
 ±0.35
 30-50
 ±0.30
 18-30
 ±0.25
 10-18
 ±0.20
 5-10
 ±0.15
 0-5
 ±0.10
 LUNGH. E DIAM.
LENGTH AND DIAM.
 TOLLERANCE UNLESS OTHERWISE STATED
 QUOTE SENZA TOLLERANZA
 TOLERANCE UNLESS OTHERWISE STATED